

# SHREDDERHOTLINE.COM INTERNATIONAL INC. AND GLOBAL DEVELOPMENT INTERNATIONAL INC.

---



Global Recycling Systems, with the City of Stamford CT, the City of Louisville KY, Bristol Myers Squibb, GM, Boeing and 8000 other satisfied users worldwide.....

P.O. Box 399  
707 North Park Street  
Streator, Illinois 61364 U.S.A.  
[www.shredderhotline.com](http://www.shredderhotline.com)  
[sales@shredderhotline.com](mailto:sales@shredderhotline.com)

Dan Burda - P815-674-5802 ( 24/7 )  
Dan Burda Toll Free 888-426-1971  
China Cellular – Shanghai 011-86-131-227-16798 ( On When in China )  
China Cellular - Guangzhou 011-86-139-222-72168 ( On When in China )  
Canada Cellular - Montreal - 514-883-2507 ( On When in Canada )

---

Date of Letter: July 27, 2006  
Date of Printing: June 4, 2009

## SPECIFICATIONS FOR 5444 SHEAR SHREDDER

---

( WORLDWIDE COMPETITION FOR THIS MACHINE CHARGE UP TO \$350,000.00 FOR THIS SAME MACHINE, AND OUR CORE PRICE IS LESS THAN \$100,000.00 FOR THE BASE MACHINE, WHICH IS IMPORTANT FOR YOU TO UNDERSTAND WHY WE HAVE COST SAVINGS WITH OUR WORLDWIDE MANUFACTURING ABILITY THAT OTHERS DO NOT HAVE )

**PRODUCTION RATE – UP TO 25 TONS PER HOUR MSW OR 1000 TIRES PER HOUR**

**INFEED OPENING – 54” BY 44”**

**SHAFT CENTER DESIGN DISTANCE FROM CENTER TO CENTER OF SHAFTS – 16”**

**CUTTER DIAMETER – 21”**

**CUTTER WIDTH – 2” THICK**

**SHAFT DIAMETER SIZE – 8”**

**APPLICATION INPUT HP - 75 HP TO 350 HP**

# **SHREDDERHOTLINE.COM INTERNATIONAL INC. AND GLOBAL DEVELOPMENT INTERNATIONAL INC.**

---

APPLICATION RPM OF SHAFTS – 5 RPM TO 20 RPM

DUAL DRIVE ARRANGEMENT – DRIVE MOTOR AND GEARBOX ON EACH SHAFT

SHAFT REMOVAL – DIRECT PULL FROM TOP

CUTTER REMOVAL – SLIDING OFF OF SHAFT

SHAFT MATERIAL – 4140 OR 4340 HARDENED ALLOY STEEL

CUTTER MATERIAL – 4140 OR 4340 OR D2 STEEL

HOPPER – STANDARD OR RAM FEED HOPPER

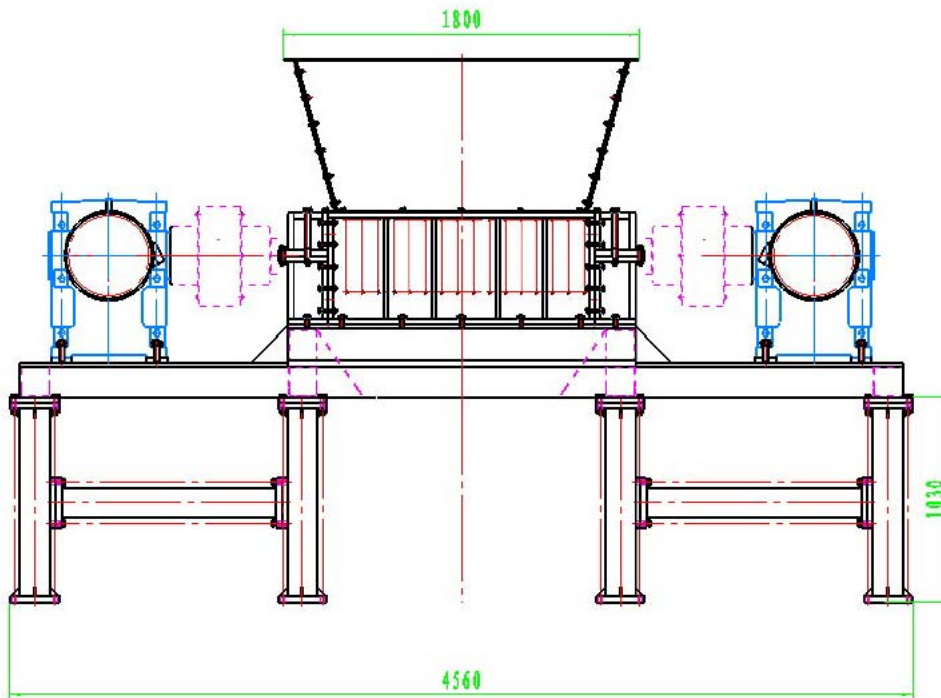
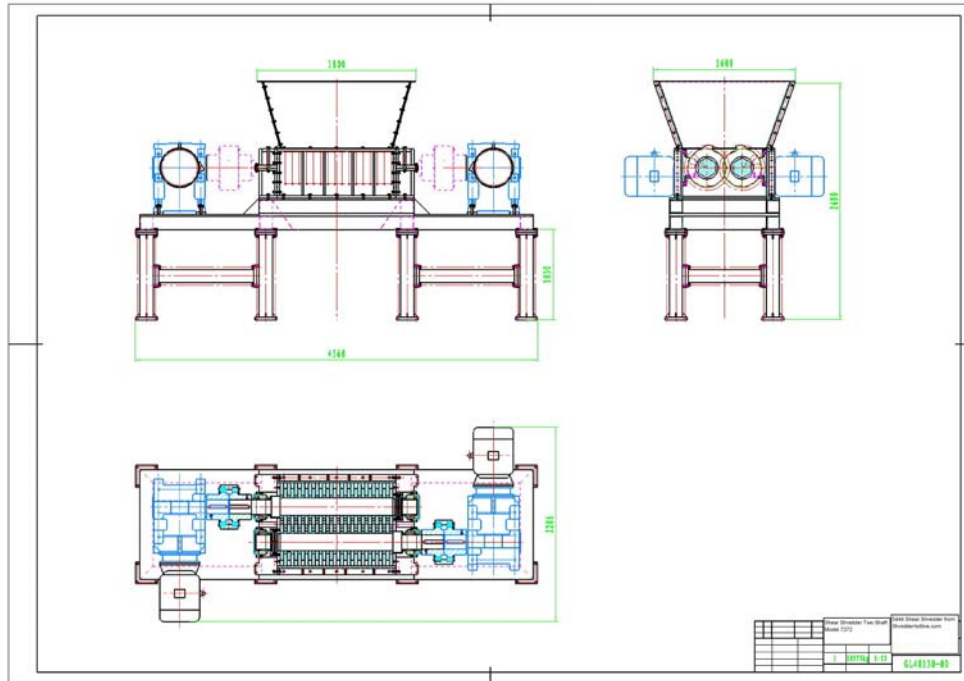
CONTROLS – CE APPROVED PLC CONTROLLER AND SOFT START MOTORS



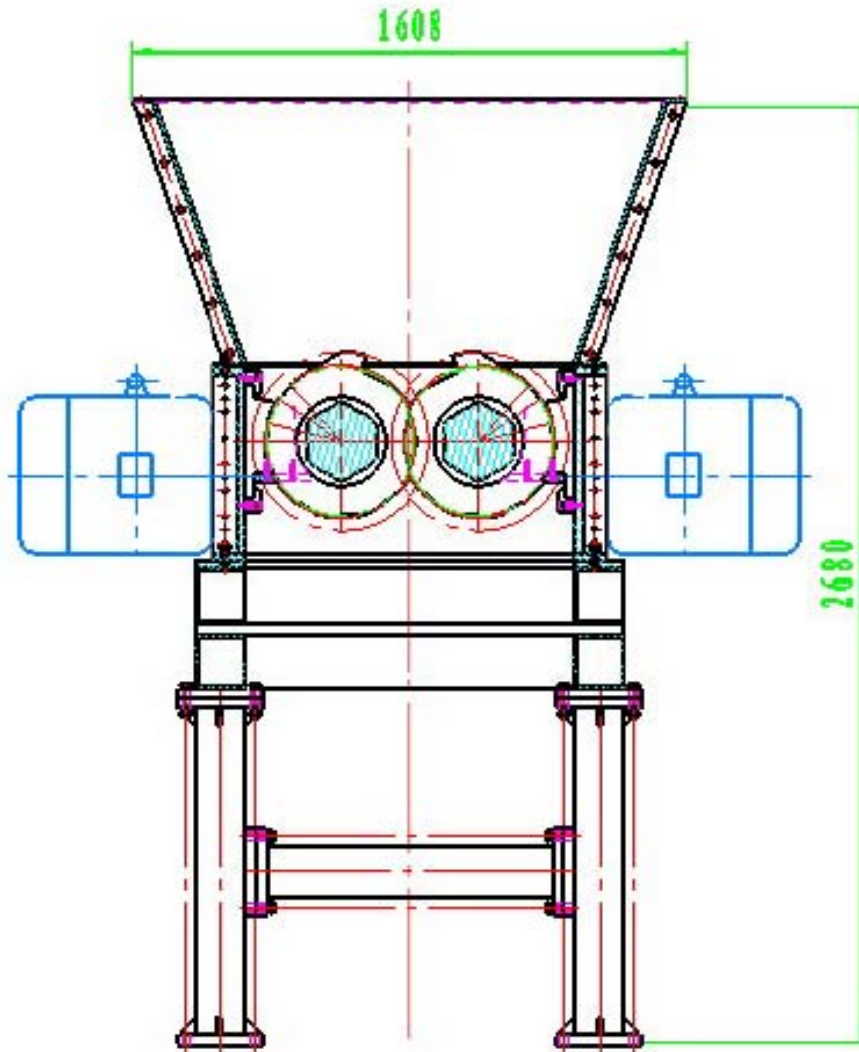
**DIMENSIONAL DATA ON 5444 SHEAR SHREDDER**

---

**SHREDDERHOTLINE.COM INTERNATIONAL INC.  
AND GLOBAL DEVELOPMENT INTERNATIONAL INC.**

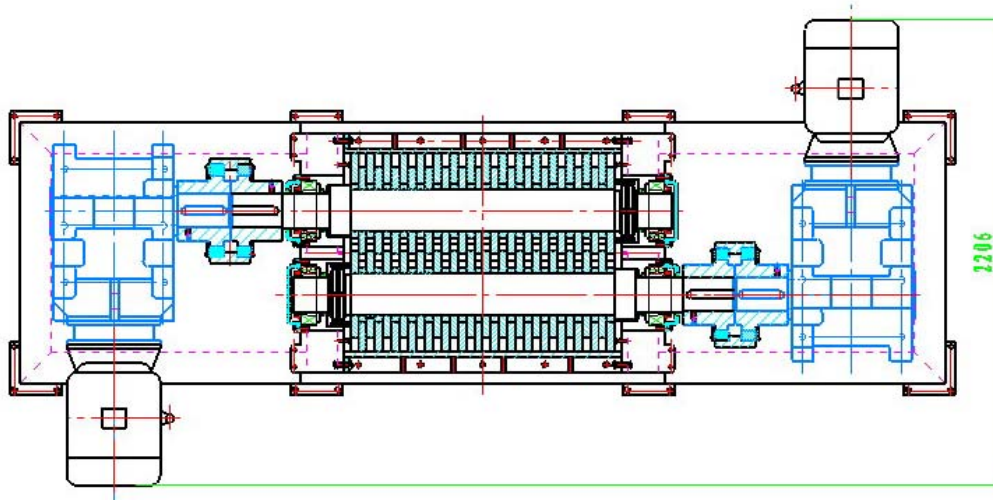


**SHREDDERHOTLINE.COM INTERNATIONAL INC.  
AND GLOBAL DEVELOPMENT INTERNATIONAL INC.**



# SHREDDERHOTLINE.COM INTERNATIONAL INC. AND GLOBAL DEVELOPMENT INTERNATIONAL INC.

---



**WE HAVE BEEN MAKING SHREDDERS SINCE 1966**

**WE WELCOME YOUR INQUIRY**

**Sincerely,**

---

**Dan Burda, President Global Development**

All Copyright, Trademark and Patent Rights Reserved 1966-2009, Proprietary and Confidential Data of Dan Burda, Restricted Use Notification., Attorney Client Privilege. As part of our continuing design and engineering program, we reserves the right to make changes at any time in materials, models, specifications and prices without prior, written notice or obligation. All Equipment is offered subject to prior sale or disposition and written confirmation prior to acceptance of offer from Buyer. All Orders and Services are accepted only according to a Liability Release, General Terms and Conditions Policy, provided with all orders, additional copies available upon request. Scanning of our computer systems are not authorized and is considered a violation of our constitutional and legal rights.

We are the Original Owners and Inventors of the Saturn Shredder, Eidal Shear Shredder and SSI International Shredder Lines. We are the Secondary Owner/Supplier of Eidal Vertical Shredder Lines, Duerr Wood Chipper, Tool Barn Wood Chipper, Techwood Wood Chipper, Cougar Wood Chipper and Machete Wood Chipper Lines. We provide Engineering, Parts and Service for all waste processing type shredding and processing equipment.

---

We are a Worldwide Manufacturing Group that offer Consultation, Turnkey Manufacturing Systems, Industrial Equipment, Environmental and Recycling Equipment, OEM/OE Production Systems and Parts, Contract Engineering Design and Consultation, Domestic and Worldwide Sales and Marketing Services, Domestic and International OEM/OE Manufacturing Services, Import and Export Consultation and Coordination Services, and Strategic Planning, Appraisal Services, Equipment Location Services, Acquisition and Liquidation Services, Product Liability Evaluation Services, Product Design Evaluation Services.

The statements included in this data concerning predictions of economic performance and management's plans and objectives constitute forward- looking statements made pursuant to the safe harbor provisions of Section

# **SHREDDERHOTLINE.COM INTERNATIONAL INC. AND GLOBAL DEVELOPMENT INTERNATIONAL INC.**

---

21E of the Securities Exchange Act of 1934, as amended, and Section 27A of the Securities Act of 1934, as amended. These statements involve risks and uncertainties that could cause actual results to differ materially from the forward-looking statements. Factors which could cause or contribute to such differences include, but are not limited to, factors detailed in the Securities and Exchange Commission filings of the company, economic downturns affecting the operations of the company or any of its business operations, the continued availability of financing to fund the company's operations, and the ability of the company or its investment banker to successfully identify and reach an agreement on the sale of the company or its operating units. The forward-looking statements contained in this press release speak only as of the date hereof and the company disclaims any intent or obligation to update these forward-looking statements.

---

This data, and its associated originals, copies, faxes and emails and any files transmitted with it are confidential and intended solely for the use of the individual or entity to which they are addressed. If you are not the intended recipient, you are hereby notified that any dissemination of this communication is prohibited. Please note that any views or opinions presented in this email are solely those of the author and may not necessarily represent those of the company. Although this data has been scanned with a state-of-the-art antivirus scanner, the recipient should check this information and any attachments for the presence of viruses. The company accepts no liability for any damage caused by any virus transmitted by this data via any method of delivery.



**BASIC 7272 UNIT FOR SCRAP METAL PROCESSING OR FOR TIRE  
PROCESSING OR FOR MSW OR BULKY WASTE PROCESSING.**

**SHREDDERHOTLINE.COM INTERNATIONAL INC.  
AND GLOBAL DEVELOPMENT INTERNATIONAL INC.**

---